

## Specifications

### Weighing

Interval type	Single interval	Single interval	Multi-interval	
Capacity	Max. 30 lb	Max. 60 lb	Max. 30 lb	Max. 15kg
Scale interval	e=0.01 lb	e=0.02 lb	e=0.005/0.01 lb	e=2/5g
Weighing range	0.20-30 lb	0.20/60 lb	0.20-30 lb	40g-15kg

\*60 pound load cell optional\*

### Thermal printer

Label type	Die-cut label	Linerless label
Label width	25-80mm/ 0.98-3.1 inches	44-80mm/ 1.73-3.14 inches
Label length	20-150mm/ 0.79-5.9 inches	20-300mm/ 0.79-11.8 inches
Label roll diameter	Max. 210mm (8.2 inches)	
Label roll core diameter	76mm (3.0 inches)	
Dot density	12 dot/mm (300dpi)	

### Operation console

Display panel	TFT LCD color (12.1 inches) touch panel
Operation keys	Mechanical keys and touch screen
Memory for programmable files	8.8GB
Operating system	Linux

### General

Power source and power consumption	<ul style="list-style-type: none"> <li>AC100-120V; 50/60Hz; 1.5A, 125W</li> <li>AC120V; 60Hz; 1.5A, 125W</li> <li>AC220-240V; 50/60Hz; 1.0A, 125W</li> </ul>
------------------------------------	--

### Net weight

- Main unit (Standed configuration)
- Main unit (Modular configuration)
- Scale platform

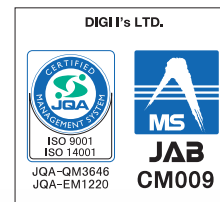
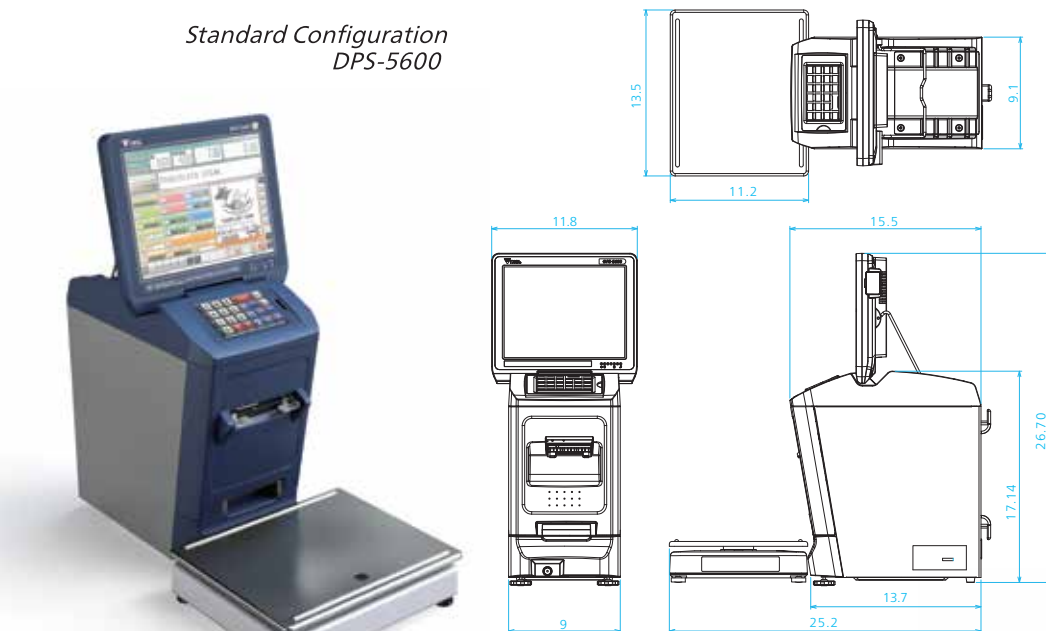
Operation humidity	90%RH(max.) with no condensation
Optional features	WLAN IEE 802.11 a/b/g/n, Linerless Printer with Auto-Cutter, Second Printer



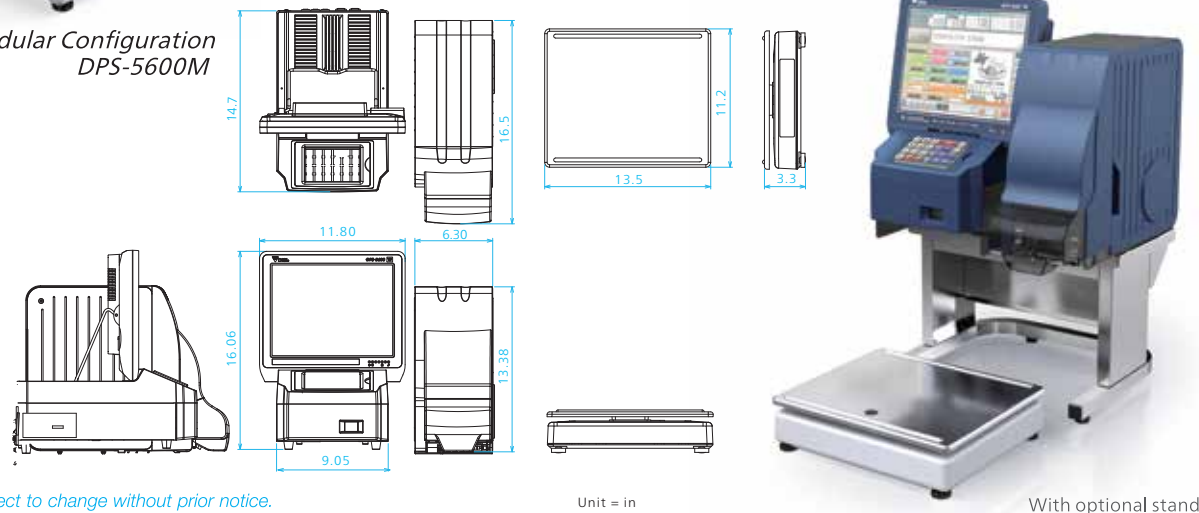
# DPS-5600

High performance prepack scale printer

Standard Configuration  
DPS-5600



Modular Configuration  
DPS-5600M



\*Specifications are subject to change without prior notice.

Unit = in

With optional stand

## DIGI AMERICA Inc.

76 Veronica Ave, Somerset NJ 08873 USA  
Tel: (732) 828 3633  
Email: Marketing@us.digi-group.com  
Web: www.digisystem.com/us



Searching for a New Balance





Two configurations to select from to support your prepack needs



DPS-5600

**Standard configuration**  
DPS-5600 requires less floor space and labels can be easily removed from the angled design.



DPS-5600M  
With optional stand

**Modular configuration**  
DPS-5600M provides flexibility in the layout of the console and labeler, even to mount on a hand wrap station.



DPS-5600 Modular Single Printer  
Shown with Optional Heat Seal Energy Smart Wrap Station



DPS-5600 Modular  
Twin Printer



12.1 in Full Color Touch Screen

Label print content can be previewed on the display, helping to prevent labeling errors. Preset and frequently used function keys can be assigned for quick access. Size, color and location can be changed to suit your

80 mm Width 300 dpi Thermal Head

A new 300 dpi thermal head enables clear and crisp label print. The 800 mm of print width still allows large label sizes to be used for more information when needed. Head security function is equipped as standard, to prevent dot missing.

Multi-Language Operator Interface



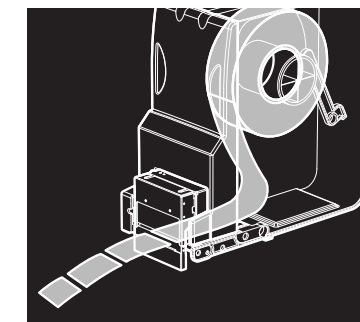
Featuring Linerless Labeling

No More Wasted White Space

Auto-label-sizing feature eliminates unused space on the label and automatically adjusts the label size. This reduces the label cost and makes labels more attractive.

Increased Flexibility in Label Formats

The auto-cut features cuts from a continuous strip of Linerless labels every time a label is printed. Variable labels every time a label is printed. Variable label layouts and sizes can be printed from a single roll.



ex. 86mm ▶ 60mm

Linerless labels can be applied by all labelers, including the

Cost Savings, Flexible on demand advertisement.

Pop Labels

An optional POP Labeler for a second eye catching label totally rationalizes your backroom operations by saving time, labor, and cost of labels.

